

Silicon NPN Power Transistors

2SD718

DESCRIPTION

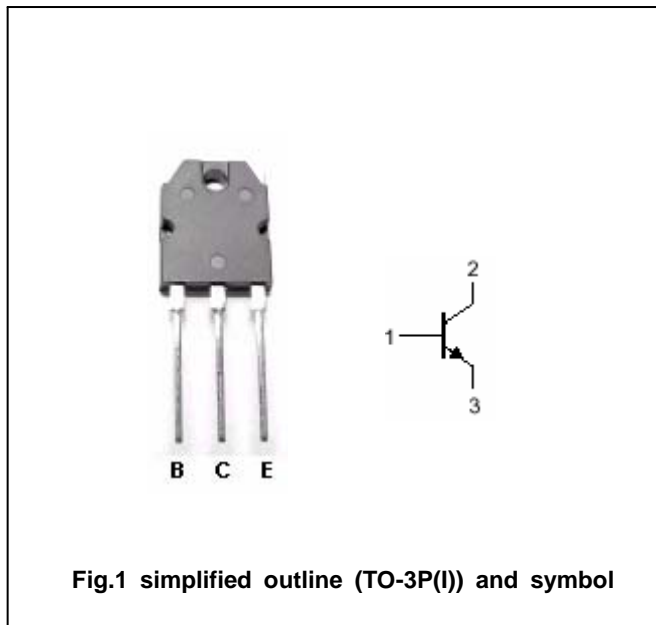
- With TO-3P(I) package
- Complement to type 2SB688

APPLICATIONS

- Power amplifier applications
- Recommend for 45~50W audio frequency amplifier output stage

PINNING

PIN	DESCRIPTION
1	Base
2	Collector;connected to mounting base
3	Emitter



Absolute maximum ratings(Ta=25 )

SYMBOL	PARAMETER	CONDITIONS	VALUE	UNIT
V <sub>CBO</sub>	Collector-base voltage	Open emitter	120	V
V <sub>CEO</sub>	Collector-emitter voltage	Open base	120	V
V <sub>EBO</sub>	Emitter-base voltage	Open collector	5	V
I <sub>C</sub>	Collector current		8	A
I <sub>B</sub>	Base current		0.8	A
P <sub>T</sub>	Total power dissipation	T <sub>C</sub> =25	80	W
T <sub>j</sub>	Junction temperature		150	
T <sub>stg</sub>	Storage temperature		-55~150	

## Silicon NPN Power Transistors

## 2SD718

## CHARACTERISTICS

T<sub>j</sub>=25 unless otherwise specified

SYMBOL	PARAMETER	CONDITIONS	MIN	TYP.	MAX	UNIT
V <sub>(BR)CEO</sub>	Base-emitter breakdown voltage	I <sub>C</sub> =50mA, I <sub>B</sub> =0	120			V
V <sub>CEsat</sub>	Collector-emitter saturation voltage	I <sub>C</sub> =5A; I <sub>B</sub> =0.5A			2.5	V
V <sub>BE</sub>	Base-emitter voltage	I <sub>C</sub> =5A; V <sub>CE</sub> =5V			1.5	V
I <sub>CBO</sub>	Collector cut-off current	V <sub>CB</sub> =120V; I <sub>E</sub> =0			10	μA
I <sub>EBO</sub>	Emitter cut-off current	V <sub>EB</sub> =5V; I <sub>C</sub> =0			10	μA
h <sub>FE</sub>	DC current gain	I <sub>C</sub> =1A; V <sub>CE</sub> =5V	55		160	
f <sub>T</sub>	Transition frequency	I <sub>C</sub> =1A; V <sub>CE</sub> =5V		12		MHz
C <sub>ob</sub>	Output capacitance	I <sub>E</sub> =0; V <sub>CB</sub> =10V; f=1MHz		170		pF

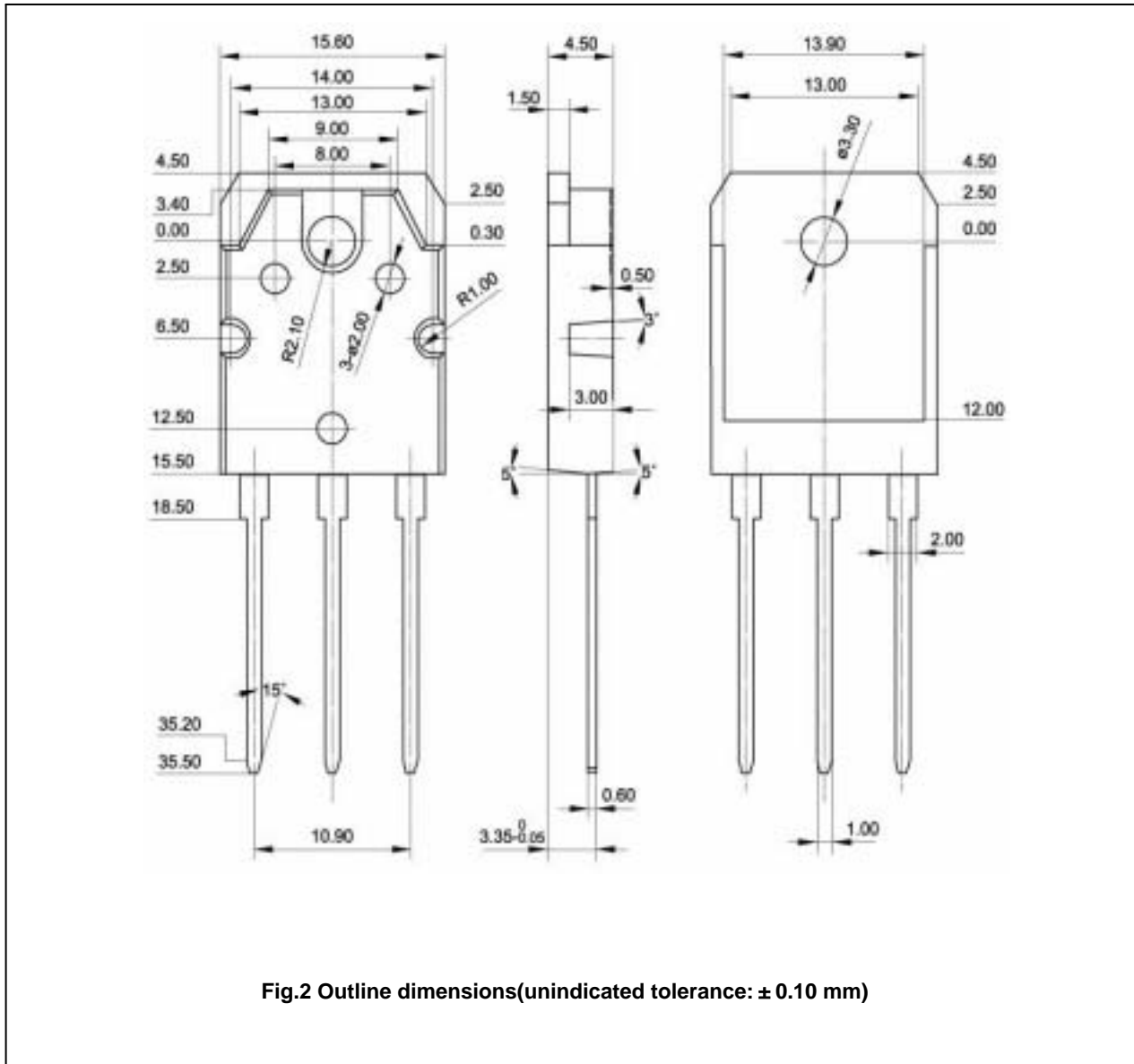
◆ h<sub>FE</sub> Classifications

R	O
55-110	80-160

Silicon NPN Power Transistors

2SD718

PACKAGE OUTLINE



Silicon NPN Power Transistors

2SD718

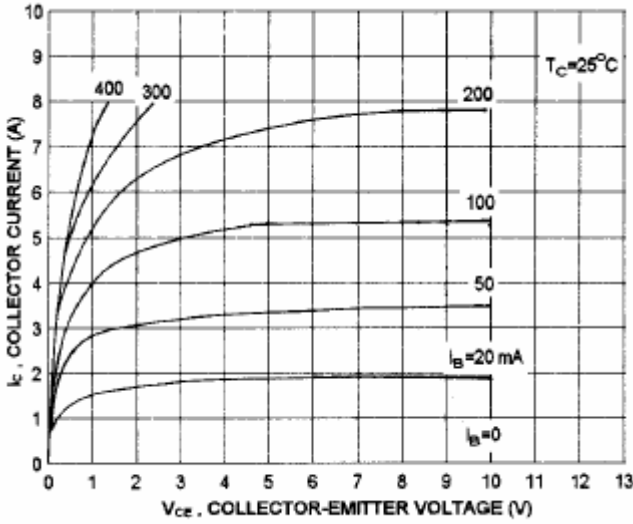


Fig.3 Static Characteristic

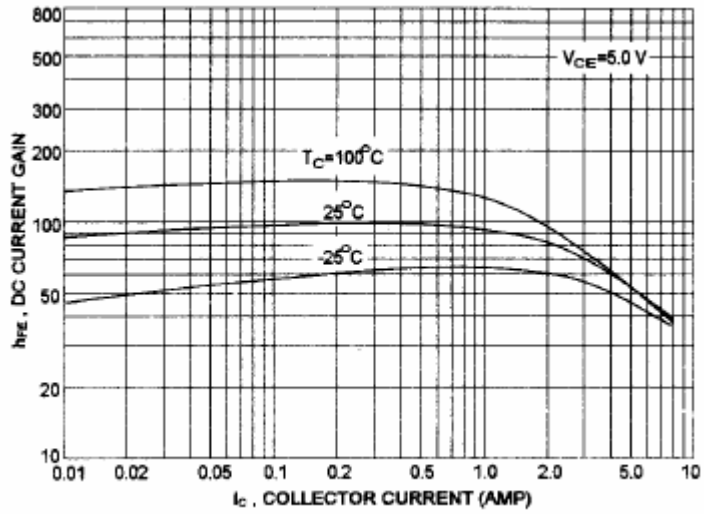


Fig.4 DC current Gain

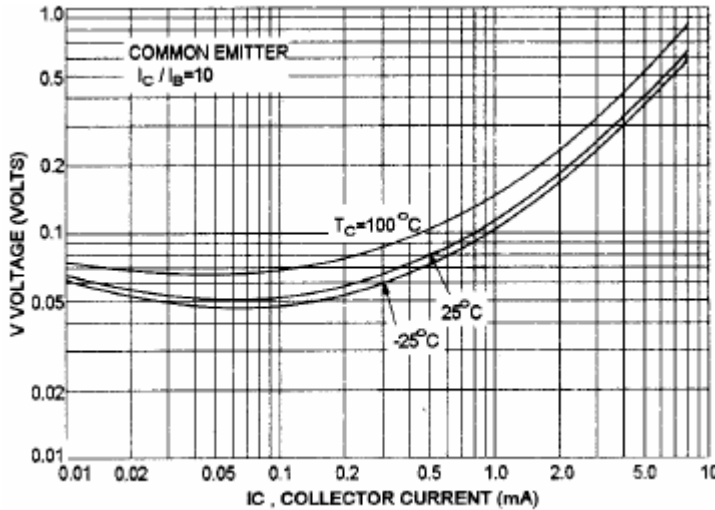


Fig.5 Collector-Emitter Saturation Voltage

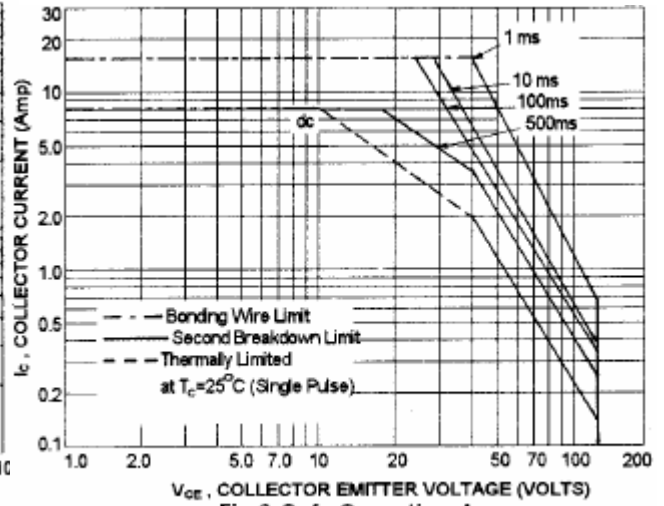


Fig.6 Safe Operating Area