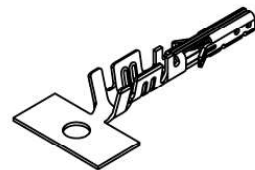
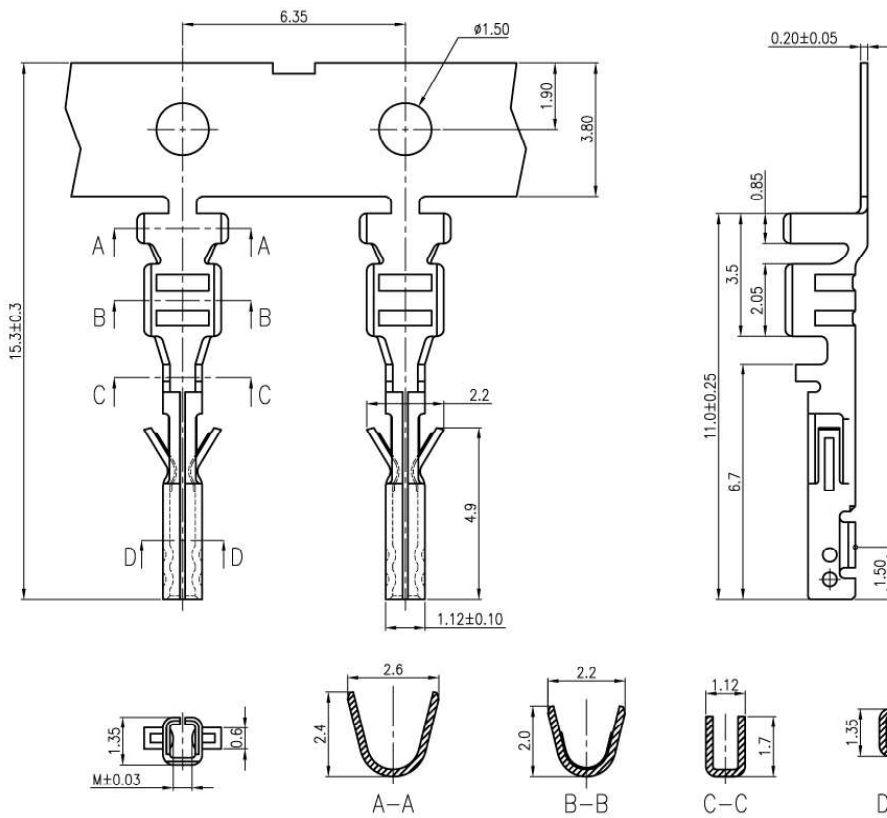


This document is the property of Amphenol Corporation and is delivered on the express condition that it is not to be disclosed, reproduced or used, in whole or in part, for the manufacture or sale by anyone other than Amphenol Corporation without its prior consent, and that no right is granted to disclose or to use any information in this document.



Specifications:

Current Rating: 5.0A AC/DC #22AWG
 Voltage Rating: 250V AC/DC
 Contact Resistance: 10m ohm. max.
 Withstanding Voltage: 1,500V AC/minute
 Operating Temperature Range: -25°C~+85°C
 Application Wires: AWG 20 to 24
 Mates With 5560 Series Housing
 Material and Finish
 Contact: Phosphor Bronze
 Finish: Tin Plated
 Packing: 10,000pcs/Reel



| Part No. | M |
|-------------|------|
| MF30-HF1T | 0.59 |
| MF30-HF1T-A | 0.54 |

| TOLERANCE (mm) | APPROVALS | DATE | TITLE | AMPHENOL |
|----------------------------|--------------------|-------------|--|------------------------------------|
| X ±0.3 | DESIGN Stephane | 28/Dec/2008 | 3.0 Power Connector Female Terminal | Amphenol European Design Center |
| XX ±0.2 | CHECKED Rob | 28/Dec/2008 | | |
| XXX ±0.15 | APPROVED Rob | 28/Dec/2008 | | |
| UNLESS OTHERWISE SPECIFIED | | | UNIT: mm | SIZE: A4 |
| | | | DRAWING N° | Scale N.A. Sheet 1 of 1 |
| | | | MF30-HF1T | REV. A |