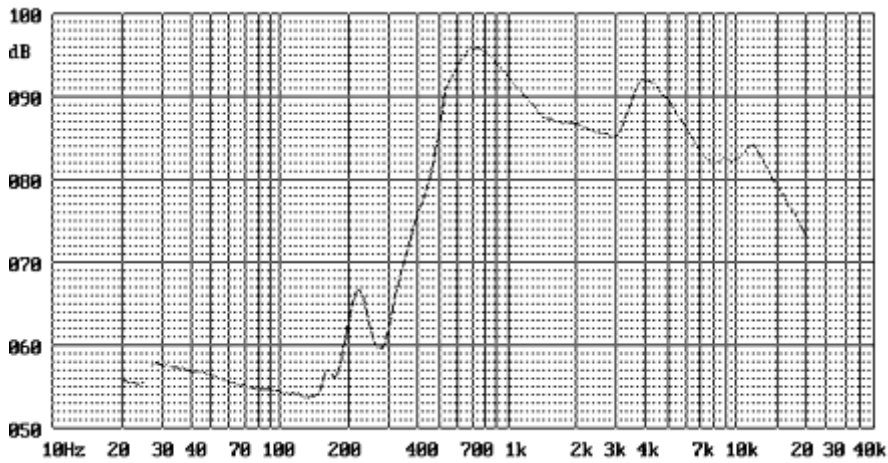
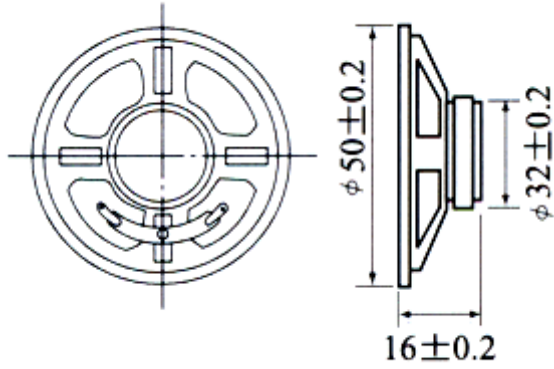


FBS50D Loudspeaker



Model No.	Rated Impedance ($\Omega \pm 15\%$)	Rated Power (W)	Max. Power (W)	Resonant Frequency (Hz $\pm 20\%$)	Frequency Range F_0 (Hz)	Sound Pressure Level (± 3 dB)	Operating Temperature (°C)	Magnet Size (mm)	Size (mm)	
									Diameter	Height
FBS50D	8	0.25	0.5	580	5000	89	-20 ~ +55	32×18×6	50	16