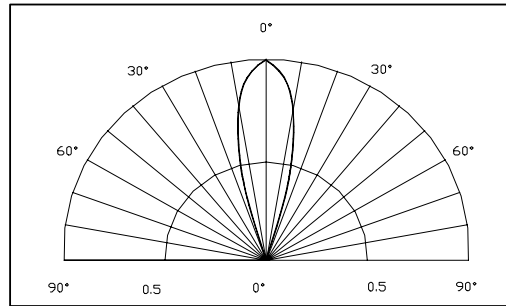
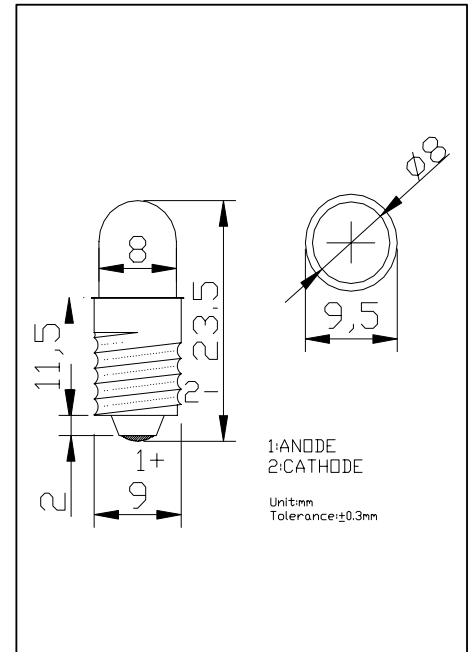



Characters

#DC Driver #Viewing angle 30 deg


Package Outline

(unit:mm)


Absolute Maximum Rating (Ta=25)

Item	Symbol	Value	Unit
AC Forward Current	I_F	20	mA
Pulse Forward Current*	I_{FP}	70*1	mA
Power Dissipation	P_D	90	mW
Operating Temperature	T_{opr}	-10~+50	
Storage Temperature	T_{stg}	-20~+70	

*1 Pulse width Max.10ms Duty ratio max 1/10

Electrical And Optical Characteristics (Ta=25)

Part Number ^{*2}	Emitting Color	Lens Type	Forward Voltage DC/AC VF(V)		Chromaticity Coordinates ^{*4}				Luminous Intensity IV(mcd) ^{*3}		Reverse Current IR(uA)
			AC	DC	X		Y		Working Current:IF=20mA		
					Min.	Max.	Min.	Max.	Typ.	Max.	
OBDX-W5DK8B31F	White	Water Clear	4-24	4-24	0.26	0.29	0.25	0.28	18000	25000	<10uA
OBDX-M5DK8B31F	Warm White	Water Clear	4-24	4-24	0.41	0.49	0.37	0.45	9000	12000	<10uA
OBDX-K5DK8B31F	Pink	Water Clear	4-24	4-24	0.34	0.44	0.15	0.25	2100	3000	<10uA

Electrical And Optical Characteristics (Ta=25)

Part Number ^{*2}	Emitting Color	Lens Type	Forward Voltage DC VF(V)		Dominant Wavelength wd(nm) ^{*5}		Luminous Intensity IV(mcd) ^{*3}		Reverse Current IR(uA)
			Typ.	Max.	Typ.	Max.	Working Current:IF=20mA		
							Typ.	Max.	
OBDX-B5SA8B31F	Blue	Water Clear	4-24	4-24	470	475	5200	8000	<10
OBDX-G5DA8B31F	Pure Green	Water Clear	4-24	4-24	525	530	20000	25000	<10
OBDX-Y5MA8B31F	Yellow	Water Clear	4-24	4-24	590	595	13000	15000	<10
OBDX-O5MA8B31F	Orange	Water Clear	4-24	4-24	605	610	13000	15000	<10
OBDX-R5MA8B31F	Red	Water Clear	4-24	4-24	625	630	13000	15000	<10

*2 See table for Luminous Intensity Ranks

*3 Axial Direction (Luminous Intensity)

*4 Please refer to CIE 1931 chromaticity diagram.

*5 Devices are sorted by 5nm wavelength ranges

Package

Bulk-----100pieces/bag(Code No.1)

Bulk-----200pieces/bag(Code No.2)

Bulk-----500pieces/bag(Code No.5)