

High Voltage LEDs

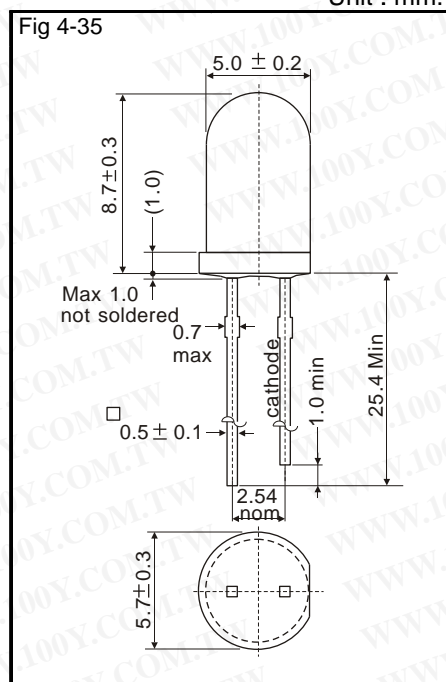
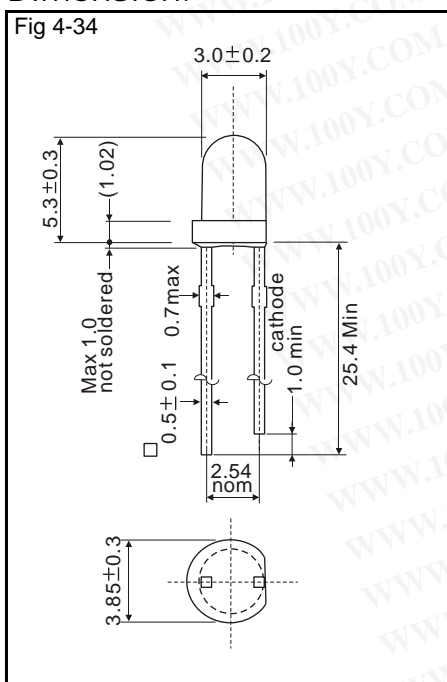
勝特力材料 886-3-5753170
 勝特力电子(上海) 86-21-54151736
 勝特力电子(深圳) 86-755-83298787
[Http://www.100y.com.tw](http://www.100y.com.tw)

IF=10mA Ta=25 °C

Device No	Color		Wavelength (nm)		VF Typical (V)	Brightness (mcd)		View Angle 2θW	Drawing Figure		
	Emitter	Lens	λp	λd		Minimum	Typical				
φ 3	HB3b-142-5V	hi-red	colored diffused	700	658	5.0	1.0	2.5	40	4-34	
	HB3b-145R-5V	hi-eff red	colored diffused	625	618		12.5	20.0			
	HB3b-143-5V	yellow green	colored diffused	570	567		20	30.0			
	HB3b-144-5V	yellow	colored diffused	589	585	12.0	10.0	20.0			
	HB3b-145-5V	orange	colored diffused	625	618		12.5	20.0			
	HB3b-142-12V	hi-red	colored diffused	700	658		1.0	2.5			
	HB3b-145R-12V	hi-eff red	colored diffused	625	618	12.0	12.5	20.0			
	HB3b-143-12V	yellow green	colored diffused	570	567		20.0	30.0			
	HB3b-144-12V	yellow	colored diffused	589	585		10.0	20.0			
HB3b-145-12V	orange	colored diffused	625	618	12.0	12.5	20.0				
φ 5	HB5-132-5V	hi-red	colored diffused	700		658	5.0	1.0	2.5	30	4-35
	HB5-135R-5V	hi-eff red	colored diffused	625		618		12.5	25.0		
	HB5-133-5V	yellow green	colored diffused	570	567	20.0		40.0			
	HB5-134-5V	yellow	colored diffused	589	585	12.0	10.0	25.0			
	HB5-135-5V	orange	colored diffused	625	618		12.5	25.0			
	HB5-132-12V	hi-red	colored diffused	700	658		1.0	2.5			
	HB5-135R-12V	hi-eff red	colored diffused	625	618	12.0	12.5	25.0			
	HB5-133-12V	yellow green	colored diffused	570	567		20.0	40.0			
	HB5-134-12V	yellow	colored diffused	589	585		10.0	25.0			
	HB5-135-12V	orange	colored diffused	625	618	12.0	12.5	25.0			

Dimension:

Unit : mm.



勝特力材料 886-3-5753170
 勝特力电子(上海) 86-21-54151736
 勝特力电子(深圳) 86-755-83298787
[Http://www.100y.com.tw](http://www.100y.com.tw)