

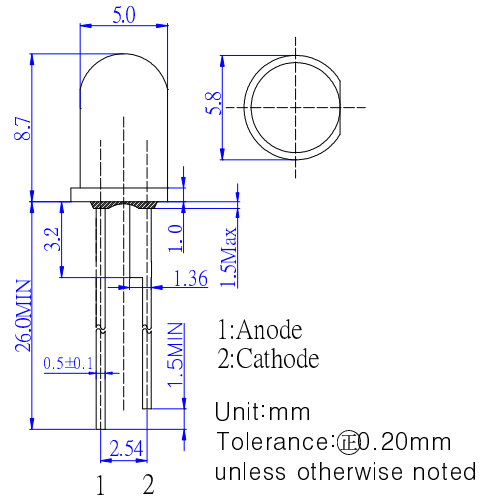
■ Features

- High Lumen Output
- 5mm Round Standard Directivity
- UV Resistant Epoxy
- Water Clear Type

■ Applications

- Electronic Signs And Signals
- Small Area Illuminations
- Back Lighting
- Other Lighting

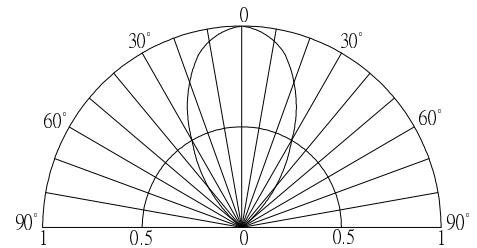
■ Outline Dimension



■ Absolute Maximum Rating (Ta=25°C)

Item	Symbol	Value	Unit
DC Forward Current	I _F	80	mA
Pulse Forward Current#	I _{FP}	120	mA
Reverse Voltage	V _R	5	V
Power Dissipation	P _D	288	mW
Operating Temperature	Topr	-30 ~ +85	°C
Storage Temperature	Tstg	-40~ +100	°C
Lead Soldering Temperature	Tsol	260°C/5sec	-

■ Directivity



#Pulse width Max.10ms Duty ratio max 1/10

■ Electrical -Optical Characteristics (Ta=25°C)

Part Number	Color			V _F (V)			I _R (μA)	Φ _V (LM)			I _v (mcd)			Wd(nm)/CCT(K)			2θ1/2(deg)
				Min.	Typ.	Max.	Max.	Min.	Typ.	Max.	Min.	Typ.	Max.	Min.	Typ.	Max.	Typ.
				I _F =75mA			V _R =5V			I _F =75mA							
OSW47L5B61P	Pure White	W		2.8	3.2	3.6	10	18	20	-	30000	36000	-	5500-8500K(X:0.31,Y:0.34)			60
OSM57L5B61P	Warm White	M	■	2.8	3.2	3.6	10	17	19	-	30000	36000	-	2700-3200K(X:0.44,Y:0.41)			60
OSB57L5B61P	Blue	B	■	2.8	3.2	3.6	10	4	5	-	18000	22000	-	465	470	475	60
OSG59L5B61P	Pure Green	PG	■	2.8	3.2	3.6	10	15	18	-	60000	66000	-	520	525	530	60

*1 Tolerance of measurements of chromaticity coordinate is ±10%

*2 Tolerance of measurements of dominant wavelength is ±1nm

*3 Tolerance of measurements of luminous flux is ±15%

*4 Tolerance of measurements of forward voltage is ±0.1V