

PT-063C

3 Pins, Vertical Mount/ Horizontal Mount, Cross Slot, RoHS Compliant

RoHS

GENERAL SPEC.

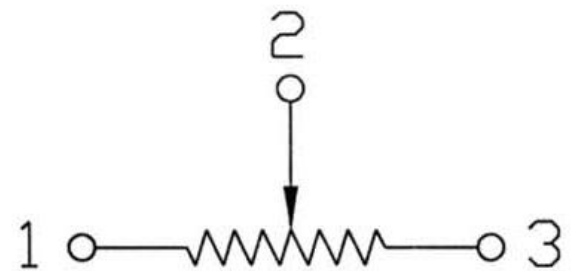
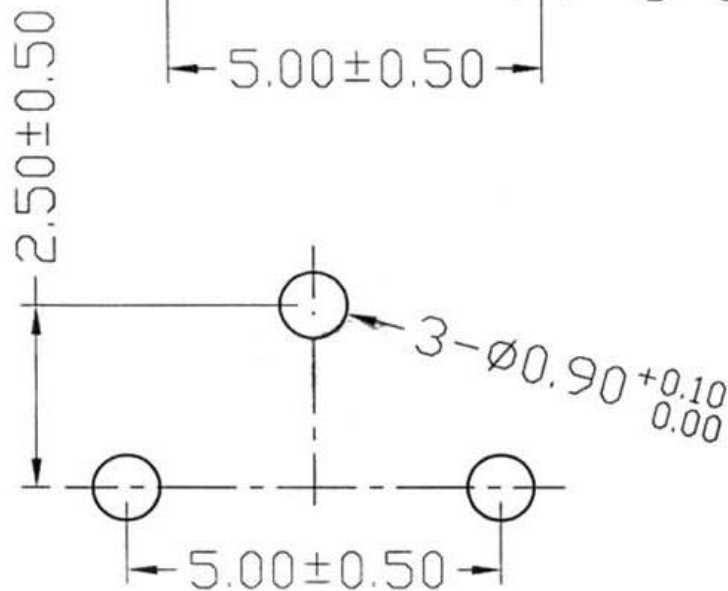
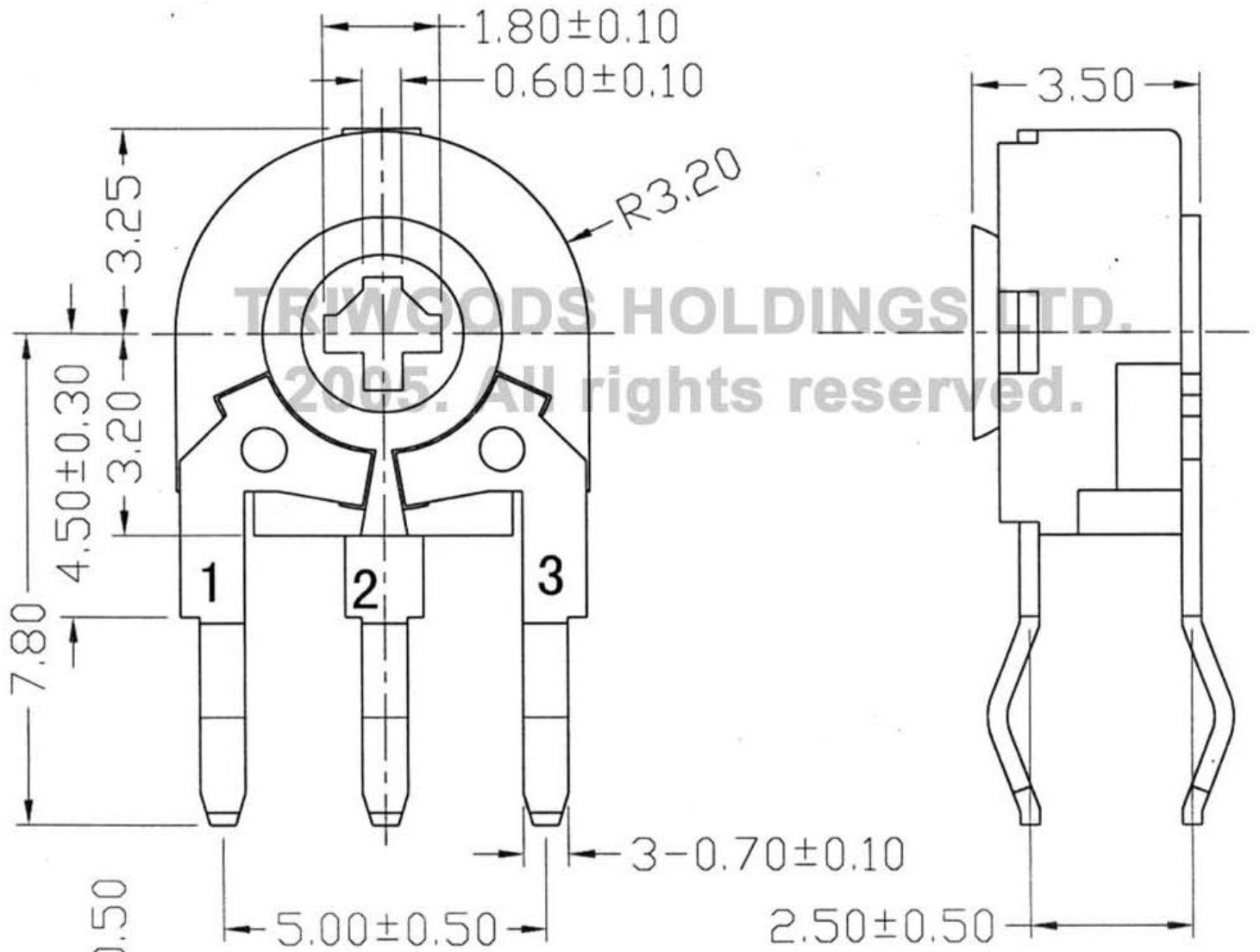
Nominal Resistance:	500 Ω to 1M Ω
Std. Res. Tolerance:	+ /- 30%
Residual Resistance	less than 100
Taper:	Logairthm (A), Linear (B) and Anti-logairthm(C)
Power Rating:	0.10 W for Linear Taper, 0.05 for other tapers
Operating Voltage:	100V for Linear Taper, 50V for other Tapers.
Rotational Life:	500 Cycles/ 10,000 Cycles
<hr/>	
Rotational Angle:	235° \pm 5 °
Torque:	20 ~ 200g.cm
End-Stop Strength:	400g.cm minimum
<hr/>	
Operating Temperature:	-25°C ~ +40°C
Temp. Characteristics:	+5 ~ -30% change in resistance after 5 hours at 70°C
Humidty Characteristics:	Maximum 20% Change in Resistance after 350 hours at 40°C and RH 95% loaded
<hr/>	
Soldering Method:	Hand Soldering
Soldering Temperature:	260°C
Soldering Time:	3 seconds

Triwoods Holdings Ltd. 2005

The website is copyrighted by Triwoods Holdings Ltd. No authorized copying is allowed.

APPEARANCE

DRAWING



CIRCUIT

RECOMMEND P.C.B LAYOUT

未注公差 0-10mm ± 0.3 mm
未注公差 10-60mm ± 0.5 mm



三達集團有限公司
Triwoods Holdings Ltd.

PT-063C

DRAWING NO	REV	SHEET/OF
TEC-WI-E.WX-376	A0	