

PT-155E(10*12.5)



3 Pins, Horizontal Mount/ Vertical Adjust, "-" Slot, Pitch: 10*12.5mm,
RohS Compliant

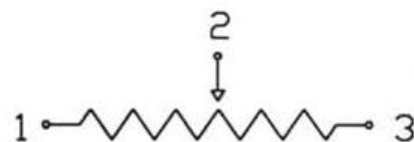
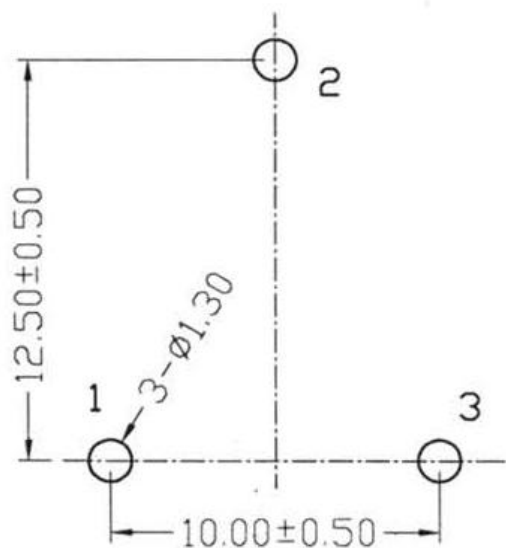
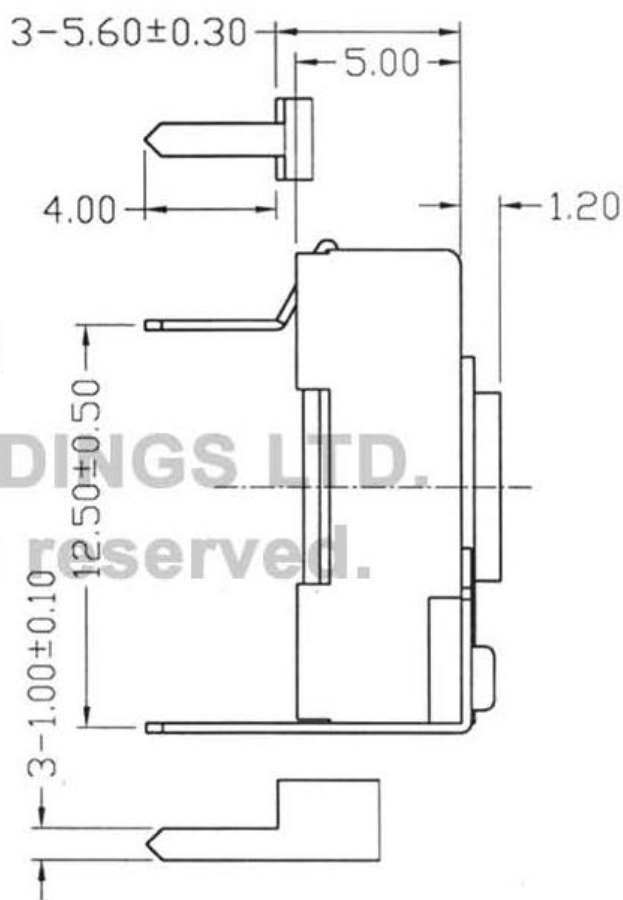
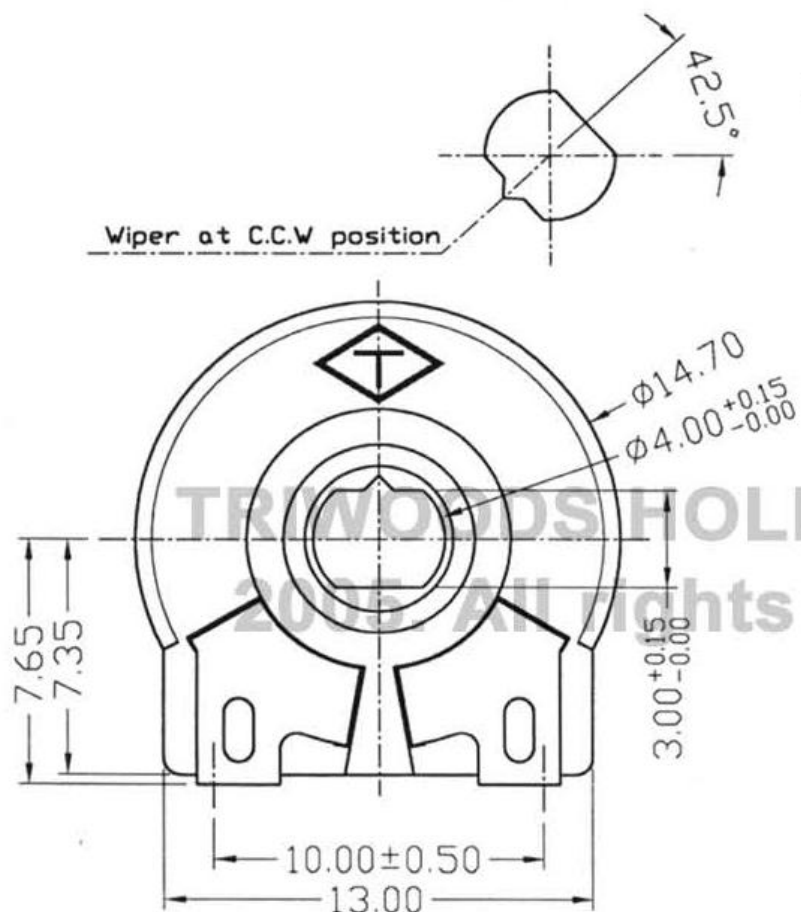
RoHS

GENERAL SPEC.

Nominal Resistance:	200 Ω to 1M Ω
Std. Res. Tolerance:	+ /- 30%
Residual Resistance	less than 10 Ω
Taper:	Logairthm (A), Linear (B) and Anti-logairthm(C)
Power Rating:	0.15 W for Linear Taper, 0.07 for other tapers
Operating Voltage:	250V for Linear Taper, 125V for other Tapers.
Rotational Life:	500 Cycles/ 10,000 Cycles
<hr/>	
Rotational Angle:	265° \pm 5 °
Torque:	20 ~ 200g.cm
End-Stop Strength:	400g.cm minimum
<hr/>	
Operating Temperature:	-25°C ~ +75°C
Temp. Characteristics:	+5 ~ -30% change in resistance after 5 hours at 70°C
Humidty Characteristics:	Maximum 20% Change in Resistance after 350 hours at 40°C and RH 95% loaded
<hr/>	
Soldering Method:	Hand Soldering
Soldering Temperature:	260°C
Soldering Time:	2 seconds

APPEARANCE

DRAWING



CIRCUIT

RECOMMEND P.C.B LAYOUT

未注角度	±10°
未注公差 0-10mm	±0.3mm
未注公差 10-60mm	±0.5mm



三達集團有限公司
Triwoods Holdings Ltd.

PT-155E(10*12.5)H7

DRAWING NO	REV	SHEET/OF
------------	-----	----------

TEC-WI-E.WX-339	A3	
-----------------	----	--