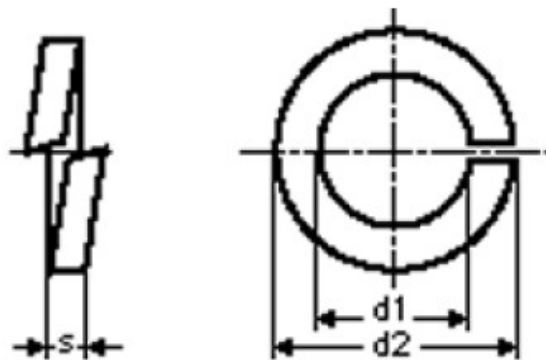


BN 774 - DIN 7980

Helical
spring
lock
washers
for
screws
with
cylindrical
head

DIN 7980



Material	Spring steel	Hardness	430-530 HV
Surface	zinc plated blue		

Article No. - 1277235	
for thread	M3
d ₁ min.	3,1
d ₁ max.	3,4
d ₂ max.	5,6
s	1

DIN 7980: Standard withdrawn

Spring elements ≥ 320 HV electroplated coatings: Susceptible to hydrogen embrittlement!
Other coatings on request.