
Push Button Switch IPS-19



Product description:

This product operates the movement sensitive, the design is compact, the product is exquisite compact, is suitable for the small space high strength working environment the mechanical life is long, durable, may provide the different rated parameter and the circuit characteristic, supports provides the blueprint processing, the price concessions, the precision manufacture, the quality is very good. Products are widely used in industrial machinery equipment, automotive automation and household switches and other fields

Application:

Our services uphold customer first, strict control of product quality. Our products are of good quality, fine workmanship, perfect manufacturing technology, durable, suitable for all kinds of environments. Products are widely used in machinery industry equipment buttons, home appliances switches, automotive automation.

IPS19-AU-R1-DC



Specification

1. Product Name : IPS19
2. Rating : 10A 125VAC ; 6A 250VAC;20A 12VDC

- 3. Initial Contact Resistance:35mΩ max
- 4. Insulation Resistance:500VDC 1000MΩ min
- 5. Dielectric Strength:1500VAC 1Minute
- 6. Operating Temperature:-25℃~+85℃
- 7. Electrical Life:10000 Cycles
- 8. Circuitry trait:ON-OFF ;OFF-(ON) ()Indicates Momentary
- 9. Certification system : TUV、 UL、 IOS9001:2015、 CE、 ENECandOther

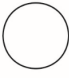








10.LED options:

Option code	LED
/	None
U	Unicolour LED
B	Bicolour LED

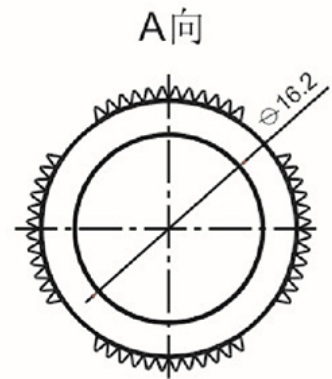
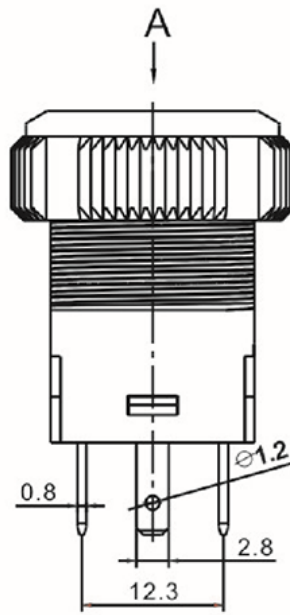
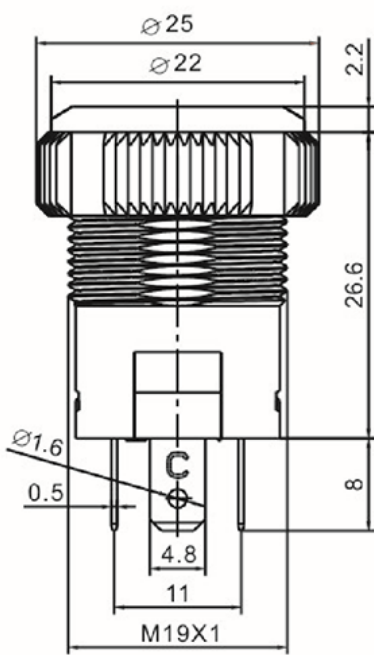
11.Color of LED:

Option code	Color
R	红 Red
Y	黄 Yellow
O	橙 Orange
B	蓝 Blue
G	绿 Green
W	白 White
R/G	红绿双色 R/G Bicolour

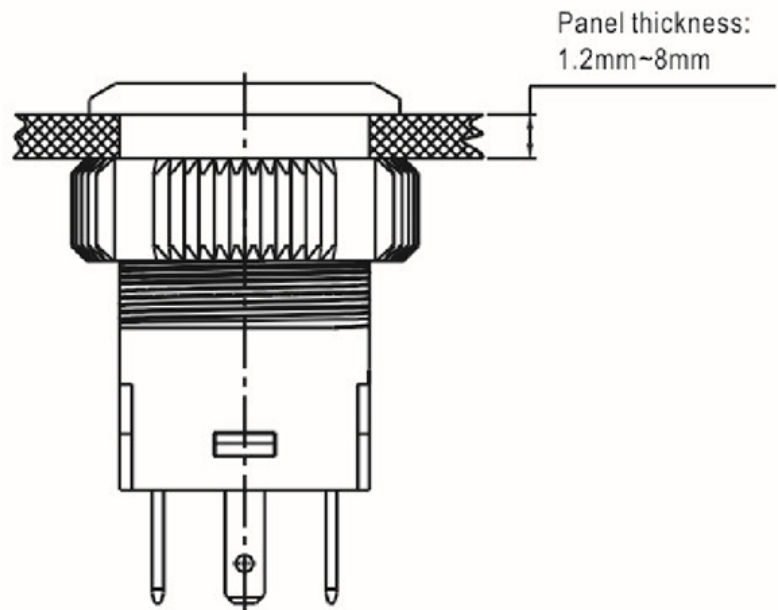
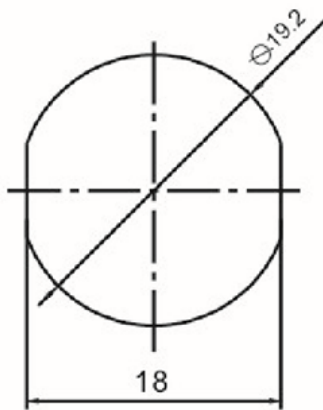
12. Symbols on the button:

Option code	0	1	2	3	4	5	6	7	8
Symbols									
按钮标识可定制 Symbols on the button could be customized									

Product details and dimensions



Panel mounting



Product link : <https://www.jietongswitch.com/push-button-switch-ips-19-products/>