

KCD1 Series Rocker Switch

技术特性 Specification

- 规格 Rating: 10A 125VAC; 6A 250VAC
- 接触电阻 Contact Resistance: 35mΩ max
- 绝缘电阻 Insulation Resistance: 500VDC 100MΩ min
- 耐电压 Dielectric Strength: 1500VAC, 1 Minute
- 操作温度 Operating Temperature: -25°C~ +85°C
- 电气寿命 Electrical Life: ≥10,000 Cycles

型号说明 Model Information



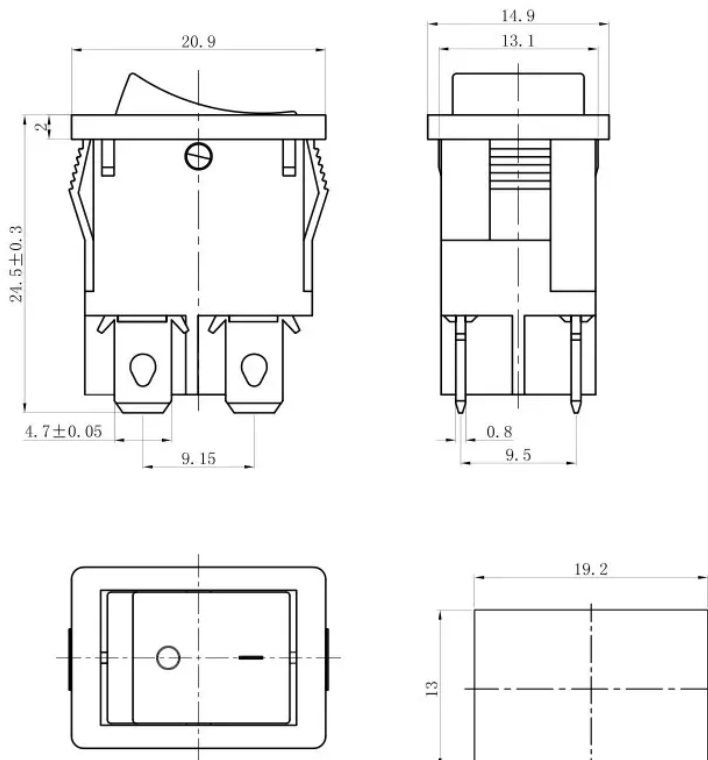
KCD1-4-201 t85 55 Rocker Switch

Daier KCD1-4-201 on off miniature rocker switch offer a high switching current in a compact design. It is a snap-in mounted rocker switch with a high mechanical life in a rugged nylon 66 housing. They have high quality for long life at heavy loads and industry-standard mounting dimensions. This rocker switches can be used in a variety of applications, like water dispenser and extension socket and so on.

t85 55 Rocker Switch

The identification T85/55 indicates that the terminal side of the switch is suitable for an ambient temperature of 85 °C, whilst the actuating part (e.g. rocker) is subject to the room temperature of 55 °C as demanded by the standard. ... Generally, the permissible ambient temperature of polyamides is 65 °C

Housing:	Nylon 66	Button	Nylon 66
Terminal	Brass with sliver plated	Button color	Black,red,white
Rating	10A 125VAC/6A 250VAC	Housing color	Standard black,white
Contact Configuration	DPST	Switch Operation	ON-OFF
Contact Resistance	35mΩ max	Operating Temperature	-25°C~+85°C
Insulation Resistance	100mΩ min (500VDC)	Electrical Life	≥ 10,000 Cycles
Dielectric strength	1500VAC 1 minute	Mechanical Life	≥ 100,000 Cycles
Certification	CE, CQC, SGS	OEM or ODM	Available



安装面板尺寸
PANEL CUT-OUT

主要技术参数、性能
The Main Technology Performance

项目 Item	参数 Parameter
电路图 Circuit	
额定电流、电压 Rated voltage Rated current	6A 250V AC 10A 125V AC
绝缘电阻 Insulated resistance	≥100MΩ
接触电阻 Contact resistance	≤50mΩ
介电强度(极间) Dielectric strength	≥1500V AC/5S
操作温度 Operating Temperature	T85
电器寿命 Electrical Life	≥10000 Cycles

版本	标示	更改	描述
产品名称: 船形开关 Product: Rocker Switch	产品型号: KCD1-4-201 Product Model		
产品料号: P/N	制图:	审核:	核准:
图纸比例: 1:1 Scale	日期:	日期:	日期:
若没有特别标示, 公差依照以下要求: X. ±0.5 .Y. ±0.30 .XX. ±0.15 <= ±2(单位: mm)			
 乐清市戴尔电子有限公司 YUEQING DAIER ELECTRON CO., LTD			 (第一视角法)