

## KCD5-2-101 Round Rocker Switch

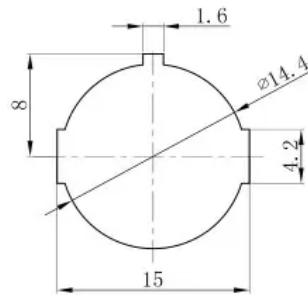
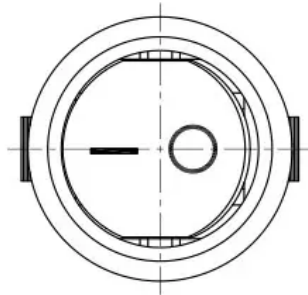
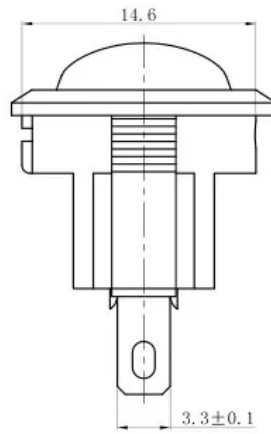
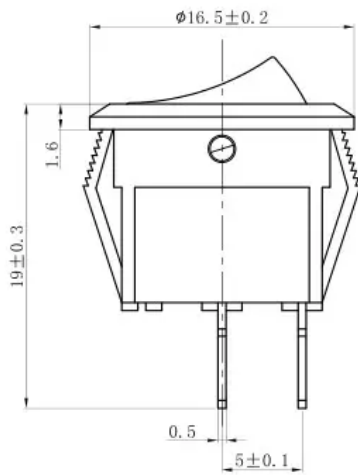
Daier KCD5-2-101 on off sub-miniatur rocker switch offer a low switching current in a compact design.

It is a snap-in mounted rocker switch with a high mechanical life in a rugged nylon 66 housing.

They have high quality for long life at heavy loads and industry-standard mounting dimensions.

This rocker switches can be used in a variety of applications, like water dispenser and extension socket and so on.

<b>Housing:</b>	Nylon 66	Button:	Nylon 66
<b>Terminal</b>	Brass	Button color:	Black and white and transparent color
<b>Rating:</b>	6A 125VAC/3A 250VAC	Housing color:	Standard black,white and transparent color is available
<b>Contact Configuration:</b>	SPST	Switch Operation:	ON-OFF
<b>Contact Resistance:</b>	50mΩ max	Operating Temperature:	-25°C~+85°C
<b>Insulation Resistance:</b>	100mΩ min (500VDC)	Electrical Life:	≥ 10,000 Cycles
<b>Dielectric strength:</b>	1500VAC 1 minute	Mechanical Life:	≥ 100,000 Cycles
<b>Certification:</b>	CE, CQC, SGS	OEM or ODM:	Available



安装面板尺寸  
PANEL CUT-OUT

主要技术参数、性能  
The Main Technology Performance

项目 Item	参数 Parameter
电路图 Circuit	
额定电流、电压 Rated voltage Rated current	3A 250V AC 6A 125V AC
绝缘电阻 Insulated resistance	$\geq 100M\Omega$
接触电阻 Contact resistance	$\leq 50m\Omega$
介电强度(极间) Dielectric strength	$\geq 1500V AC/5S$
操作温度 Operating Temperature	T85
电器寿命 Electrical Life	$\geq 10000$ Cycles

版本	标示	更改描述	
产品名称: Product	船形开关 Rocker Switch	产品型号: Product Model	KCD5-2-101
产品料号: P/N	制图:	审核:	核准:
图纸比例: Scale	1:1	日期:	日期:
若没有特别标示,公差依照以下要求: X=±0.5 .X=±0.30 .XX=±0.15 <math>\angle</math>=±2° 单位: mm			
(第一视角法)			
乐清市戴尔电子有限公司 YUEQING DAIER ELECTRON CO., LTD			