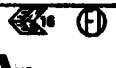
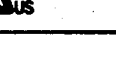
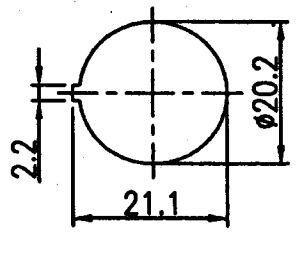
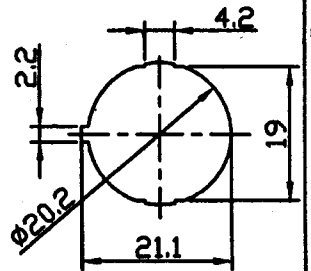
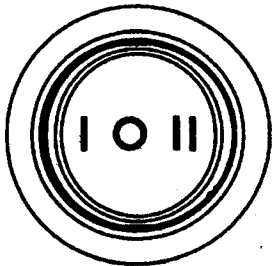
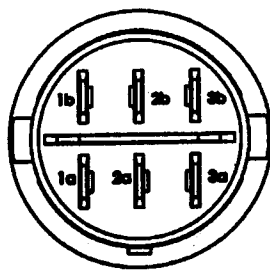
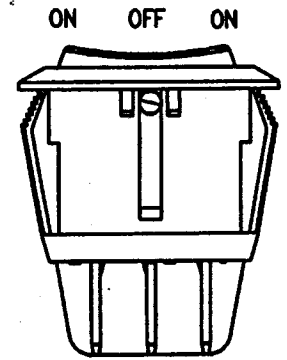
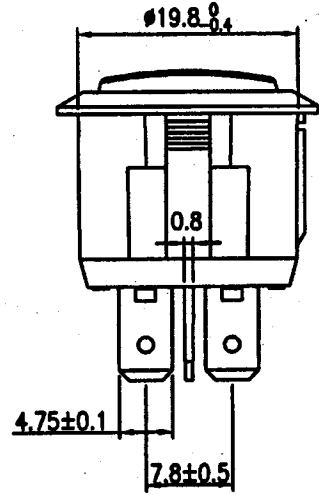
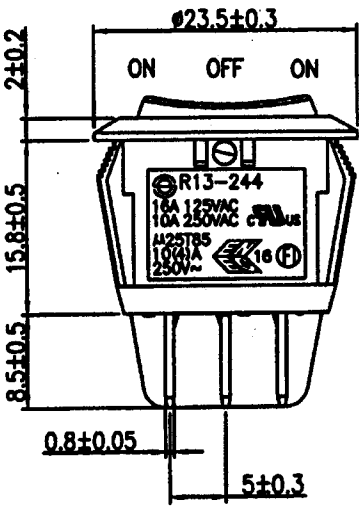
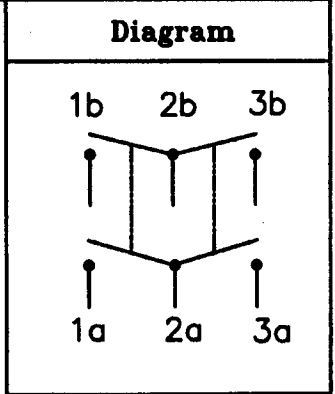


Rating	10(4)A 250V AC  16A 125V AC 10A 250V AC 	Mounting Hole	
Contact Resistance	50m ohm Max.		
Insulation Resistance	DC 500V 100M ohm Min.		
Dielectric Strength	AC 1500V 1 minute		
Operation Temperature	-20°~85°	Panel Thickness: 2.0~3.0	
Operation Force	800g±200g	Panel Thickness: 0.7~3.0	
Switch Function	6P DPDT ON-OFF-ON		





**\*Material**

Frame: Nylon#66, Black  
 Actuator: Nylon#66, Black  
 Terminal: Copper alloy, Silver plated



D:\Projects\R13-244D

7/3/07	黃衛東	Update the frame's engraving			△
Date	Name	Description			△
Drawn	Checked	Approved	SCI No.	1822543	Model Name
黃衛東			Customer No.		ROCKER SWITCH
7/3/07			Unit	mm	Model No. R13-244D-02
© SHIN CHIN INDUSTRIAL CO., LTD.					