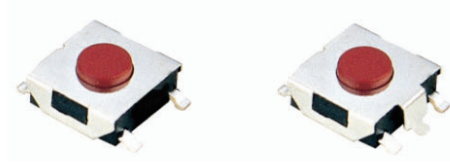


▶ Product Features

- 6.2 X 6.2mm footprint
- Available for SMD or thru hole
- Optional grounding terminal
- Low-profile
- RoHS Compliant



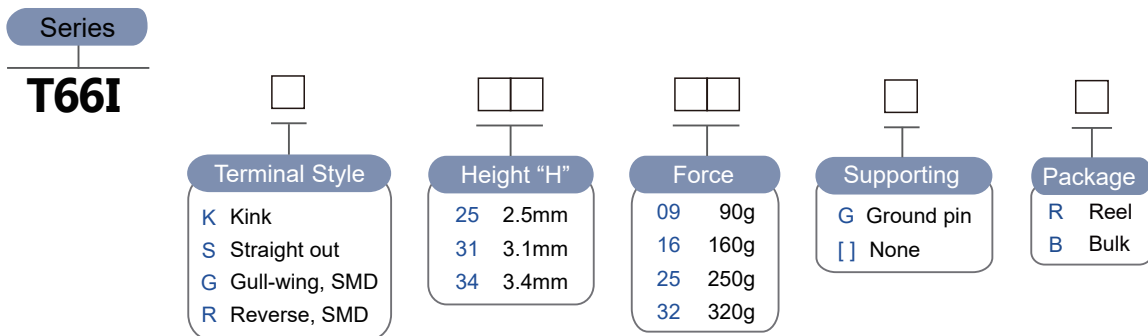
▶ Materials

Part Name	Base	Cover	Stem	Contact	Terminal
Material	PA6T	Tin plated Stainless Steel	PA6T	Silver plated Phosphor Bronze	Silver plated Brass

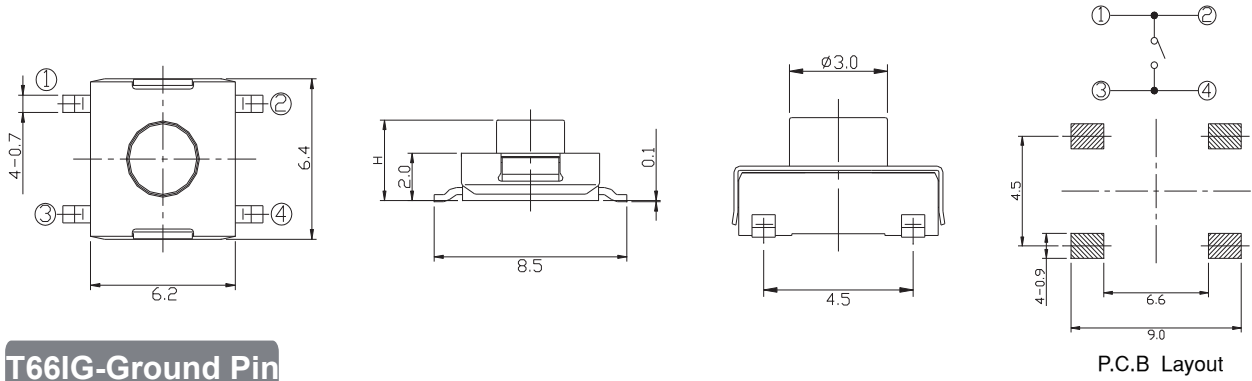
▶ Specification

Operating Force	90 ~ 250 gram
Actuator Travel	0.25 ± 0.1mm
Operating Temperature Range	-30°C ~ 85°C
Voltage Rating	50mA, 12VDC
Actuation Life Cycle	100,000(Standard), 300,000(Special)
Insulation Resistance	100 MΩ min @ 100VDC
Dielectric Strength	250VAC for 1 minute
Contact Resistance	100mΩ max.

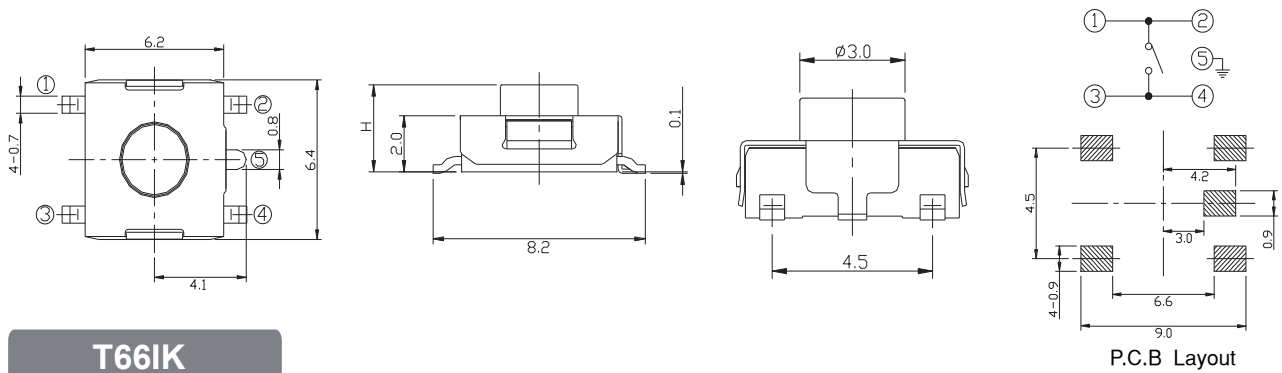
▶ Part Number



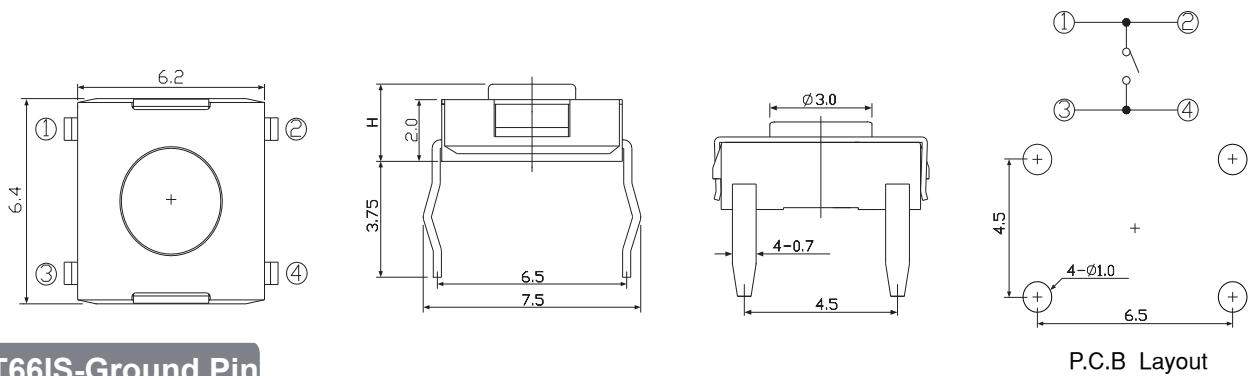
T66IG



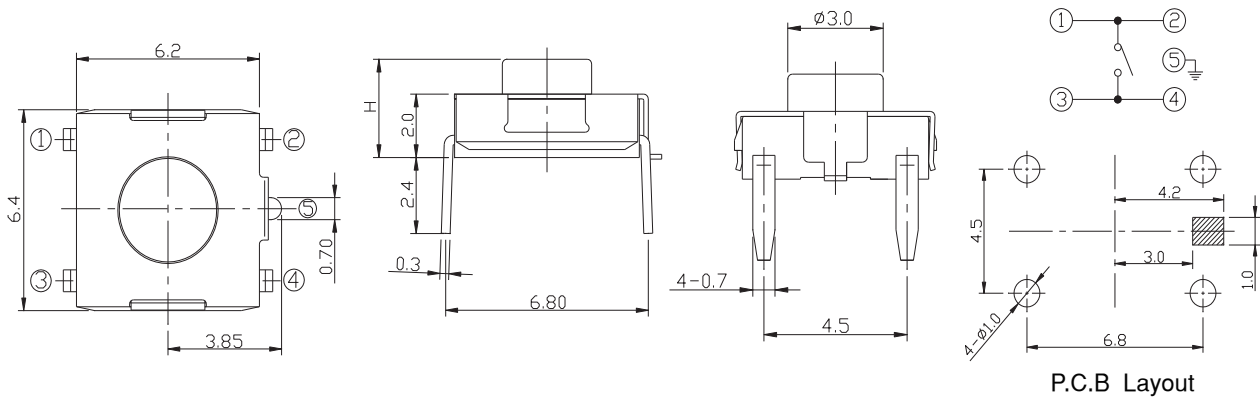
T66IG-Ground Pin



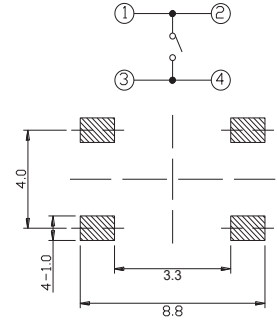
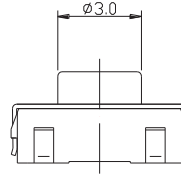
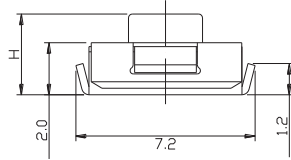
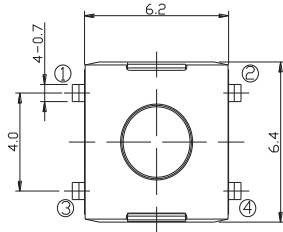
T66IK



T66IS-Ground Pin



T66IR



P.C.B LAND DIMENSION