

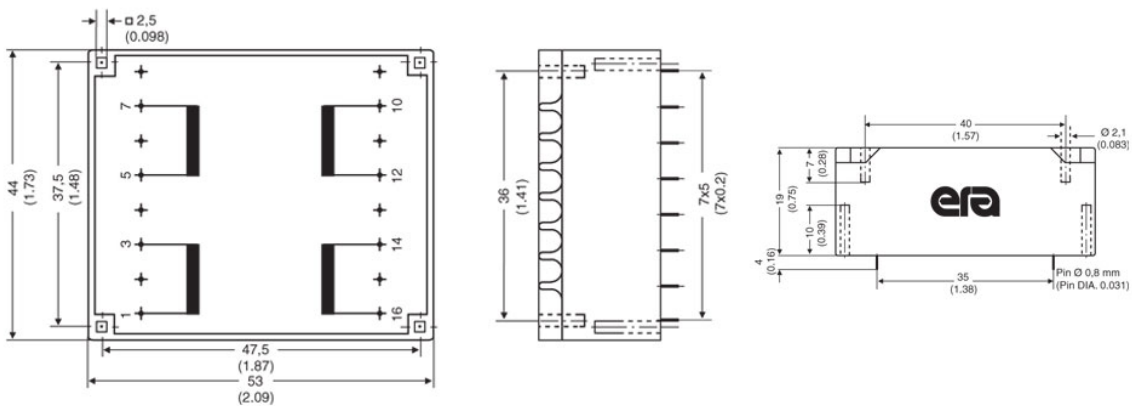
UI30/7.5 4VA Low Power Encapsulated Transformers



Code UI30/7.5 4VA

- Frequency 50/60Hz
- Potted under vacuum
- Split-bobbin
- Temperature class ta 70°C/B
- Packaging unit: 15 pieces (tray)
- Weight 0.145kg
- Fixing material for 2,5mm (0.098 inch)
 - Self-tapPins screws: DIN 7513 (M 3x8)
 - Sheet-metal screws: DIN 7971 (2,9x6,5)

Mechanical



Schematic

